

SILENCERCO OMEGA K

FIELD MANUAL

Thank you for choosing to add a SilencerCo silencer to your collection. We manufacture all of our products under one roof here in the USA and are proud to deliver only the best silencers to our community. We hope you will enjoy using this product as much as we enjoyed making it and welcome to our family.

Sincerely and Silently,

A handwritten signature in a cursive, brownish-gold ink, appearing to read 'J. Waldron'.

JOSHUA WALDRON
SilencerCo Co-Founder & CEO

WE AT SILENCERCO® HOPE THAT YOU ENJOY THE TECHNOLOGICAL ADVANCEMENTS OFFERED BY THE OMEGA™ K SOUND SUPPRESSOR. TO PROVIDE FOR YOUR SAFETY AND THE EFFECTIVE USE OF THIS SUPPRESSOR, IT IS CRITICAL THAT THE OWNER AND ANY USER OF THE SUPPRESSOR READ THIS ENTIRE MANUAL AND FOLLOW STRICTLY THE WARNINGS AND INSTRUCTIONS WITHIN. THIS SUPPRESSOR IS INTENDED TO BE USED ONLY BY THOSE WHO ARE WELL-VERSED IN THE SAFE OPERATION OF FIREARMS.



OMEGA K

WARNING

Failure to follow installation and maintenance instructions detailed in this manual may result in serious personal injury and damage to the weapon. Firearm sound suppressors are user-attached firearm muzzle devices, and as such are subject to improper attachment issues unless the procedures outlined in this manual are followed precisely. Do not attempt to use this product unless you have specific training and experience in the use of firearms.

Before installing or removing the Omega K sound suppressor from the host weapon, be sure that the weapon is unloaded and the action is opened so that it is visibly clear of any ammunition. If you are at all unsure as to the proper procedures to ensure that your firearm is unloaded, please consult your firearm user's manual/instructions and/or contact a properly licensed dealer or the manufacturer of your weapon.

Because suppressed firearms make less noise than unsuppressed firearms, it is easy to forget that they are still firearms and capable of causing bodily injury and property damage. It is of vital importance to remember that a suppressed firearm is just as dangerous as an unsuppressed firearm, and that the same safe handling requirements still apply.

When removing the Omega K, use extreme caution as it may be hot to the touch after firing. Use gloves to avoid burns or other injuries.

Check the fit between barrel and suppressor before firing! The thread mount must be fully shouldered on the barrel. There should be no visible gap between the barrel shoulder and the face of the suppressor thread mount. If there is any gap DO NOT fire the host with the suppressor attached. Poor accuracy and product damage may result if the suppressor is not fully shouldered.

Assembly and disassembly should never be performed while the suppressor is affixed in any manner to a host firearm.

Always completely remove the Omega K from the host firearm before assembly and/or disassembly is attempted.

Before performing maintenance, removing, or installing the suppressor, open the action, ensure firearm is unloaded, and be sure the chamber is empty. Failure to do so can result in property damage, injury, or death. The Omega K is designed to suppress the initial muzzle blast and subsequent projectile de-corking pressure. Neither suppressor contacts

or otherwise interacts with the projectile, allowing the projectile to travel at its default speed. Because of this, a sonic crack is produced by the projectile as it breaks the sound barrier. Depending on the geography of the area, the sonic crack may vary in volume. This is solely a function of the projectile breaking the sound barrier and is not related to product performance.

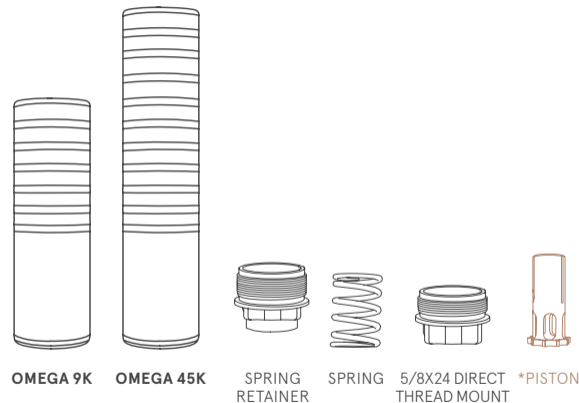


MADE IN THE USA

The Omega 9K and Omega 45K are exceptionally versatile suppressors. The Omega Ks are the smallest, lightest, and quietest silencers in their respective classes. Full auto rated and usable with pistols, rifles, and submachine guns, the Omega K series offers extreme durability in an ultra-compact package.

The Omega 9K and Omega 45K are full auto rated on barrel lengths as short as 8" for .300 BLK supersonic and subsonic ammunition.

The Omega K was designed to be used "dry" and free of any abrasive media, such as grease and water. If submerged in water, the user must allow a minimum 6 second drain time after exiting the water.

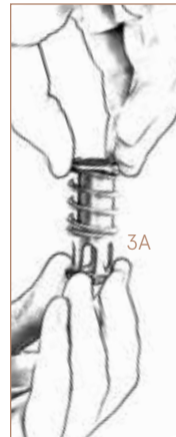


SPECS

INCLUDED

The Omega 9K and Omega 45K both ship with the pre-installed spring and spring retainer for piston mounting on pistols as well as a 5/8 X 24 direct thread mount for use on subguns and rifles. No tools are required for installation or removal of mounts.

**Piston not included. Must be purchased separately.*



PISTON MOUNT

You will need to install a **piston (not included)** into this housing in order for it to be compatible with a host.

Unscrew the spring retainer/back cap (1A) from the rear of the Omega K and remove the spring (2A) from the suppressor body; no tools are required.

Place the spring over your piston (3A).

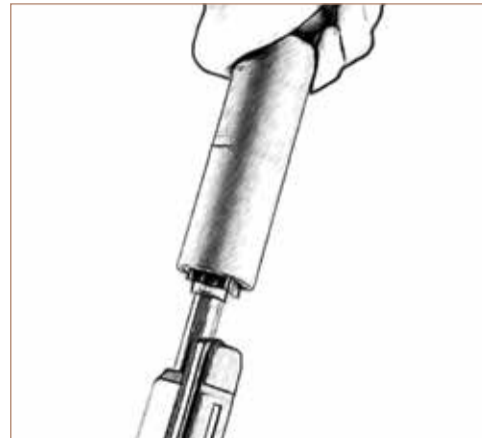
Seat the non-knurled end of the piston into the spring retainer/back cap.

Once the spring, piston, and retainer are properly seated together, place the assembly (4A) back into Omega K.

Hand tighten the spring retainer/back cap into the silencer body.

To remove the piston mount, reverse these steps.





MOUNTING *ON A PISTOL*

After confirming that your firearm is unloaded, place the piston mount over the threads of the barrel. Taking care not to cross-thread, screw the suppressor onto the barrel until it is firmly secured and no additional barrel threading is visible. Hand tighten only.

To remove from host, reverse these instructions.

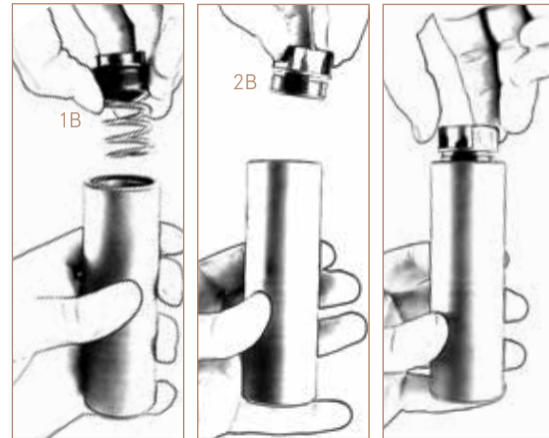
DIRECT THREAD MOUNT

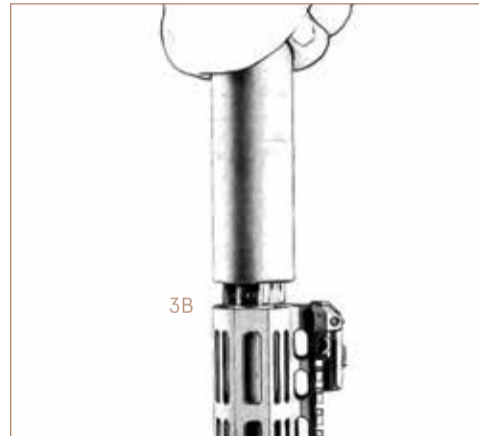
Remove the spring and spring retainer/back cap (1B) that ships installed on the Omega K.

Screw the direct thread mount (2B) into the base of the suppressor.

Hand tighten the mount until it is securely seated in the Omega K.

To remove, reverse these instructions.





MOUNTING ON A FIXED BARREL

After confirming that your firearm is unloaded, place the direct thread mount over the threads of the barrel (3B). Taking care not to cross-thread, screw the suppressor onto the barrel until it is firmly secured and no additional barrel threading is visible. Hand tighten only.

To remove from host, reverse these instructions.

MAINTENANCE

The Omega K typically requires limited maintenance. Mounts should periodically be cleaned with any standard gun cleaning solvent and a brush to remove any carbon or fouling. If necessary, run a cleaning brush through the bore to remove any light fouling of the suppressor.

Do not run cleaning patches through the bore as the patches might become lodged in the suppressor and cause damage upon firing.

CAUTION: Always read the warning label on any cleaner or solvent, and remember that virtually all solvents are inherently dangerous and potentially toxic. Always use adequate ventilation and both skin and eye protection when using solvents.

LIFETIME WARRANTY

We proudly stand behind the quality of our products with a lifetime warranty, no matter what—even if it's not a product defect. Our 48 hour repair turnaround even warranties stupid... once. If you experience any issues, please contact our Customer Service team at **801.417.5384**.

If your silencer has a defect in manufacturing or materials, there will be no charges for service or replacement through

our SilencerCo facility. If we determine that a claim is not covered under warranty, a discounted replacement option will be granted.

This warranty does not cover damage to the silencer or host firearm resulting from careless or irresponsible handling, adjustments or modifications to design, negligence, or other abuse. SilencerCo assumes no liability for unsafe or illegal

use of the silencer by its purchaser or any other user that comes in contact with the product after purchase. SilencerCo assumes no responsibility for physical injury or property damage resulting from careless or irresponsible handling or by any use contrary to the recommendations, warnings, and cautions generally listed in this manual. SilencerCo does not cover damage to the silencer or host firearm resulting from improper hand-loaded or reloaded ammunition or defective ammunition.

SONIC CRACK

The Omega 9K and Omega 45K are designed to suppress the initial muzzle blast and subsequent projectile de-corking pressure. Neither suppressor contacts or otherwise interacts with the projectile, allowing the projectile to travel at its default speed. Because of this, a sonic crack is produced by the projectile as it breaks the sound barrier. Depending on the geography of the area, the sonic crack may vary in volume. This is solely a function of the projectile breaking the sound barrier and is not related to product performance.

A collection of firearms and silencers is arranged on a dark, rocky surface. The items include several handguns, a long rifle, and various silencers. The scene is dimly lit, with the rocks providing a textured background. The text is overlaid on the left side of the image.

**Register Your SilencerCo Product Online
To Activate Your Lifetime Warranty**

[SILENCERCO.COM/REGISTER](https://silencerco.com/register)

JOIN NOW



Protect Your Rights | Protect Your Hearing

The American Suppressor Association is fighting to protect and expand your silencer rights. Join the fight today!

LEARN MORE AT AMERICANSUPPRESSORASSOCIATION.COM



FOR QUESTIONS, CONTACT OUR CUSTOMER SERVICE TEAM AT
801.417.5384 OR INFO@SILENCERCO.COM

© 2017 SilencerCo, LLC. All Rights Reserved. The contents of this publication may not be reproduced in any form or by any means in whole or in part without the prior written permission of the copyright owner.

